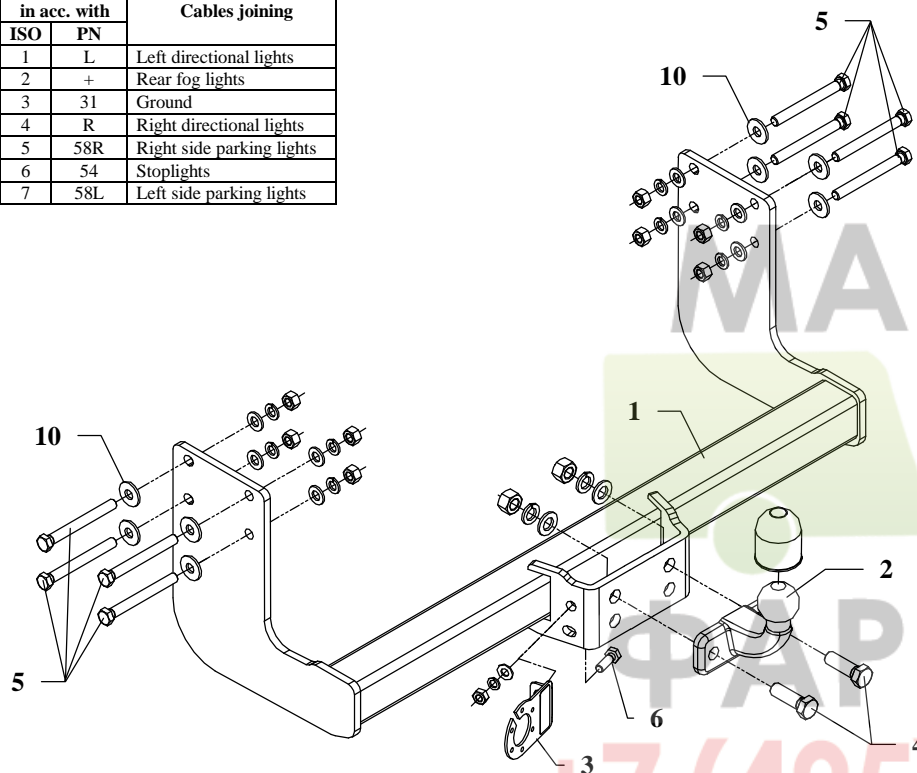


## FITTING INSTRUCTION

Clamp mark in acc. with		Cables joining
ISO	PN	
1	L	Left directional lights
2	+	Rear fog lights
3	31	Ground
4	R	Right directional lights
5	58R	Right side parking lights
6	54	Stoplights
7	58L	Left side parking lights



This towbar is designed to assembly in following cars:  
**MERCEDES SPRINTER** and **VOLKSWAGEN CRAFTER**,  
**3,25/3,665/4,325m**, metal built-up and loading platform, without step board,  
**single wheels**, produced since 04.2006, catalogue no. **D35** and is prepared to tow  
 trailers max total weight **2800 kg** and max vertical load **100 kg**.

### *From manufacturer*

Thank you for buying our product. Their reliability has been confirmed in many tests. Reliability of towbar depends also on correct assembly and right operation. For this reasons we kindly ask to read carefully this instruction and apply to hints.

*The towbar should be install in points described by a car producer.*

## The instruction of the assembly

1. For the purpose of installing of the towbar one ought to disassemble the factory towing eye, which is fixed on the internal side of the frame.
2. Slip the main bar of the towbar (pos. 1) between frame and fix using bolts M12x110mm (pos. 5) from the towbar accessories.
- ATTENTION!** Apply the original towing eye on the internal side of the frame and fix together with towbar.
3. Fix tow-ball (pos. 2) using bolts M16x50mm (pos. 4) from accessories.
4. Fix the socket plate (pos. 3) using bolt M10x30mm (pos. 6) as shown on the drawing.
5. Tighten all bolts according to the torque shown in the table.
6. Connect electric wires of 7-poles socket according to the instruction of the car. (Recommend to make at authorized service station).
7. Complete paint layer damaged during installation.

Torque settings for nuts and bolts (8,8):

<b>M6</b> - 11 Nm	<b>M8</b> - 25 Nm	<b>M10</b> - 50 Nm
<b>M12</b> - 87 Nm	<b>M14</b> - 138 Nm	<b>M16</b> - 210 Nm

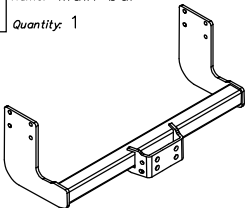
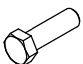



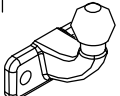


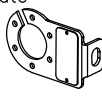


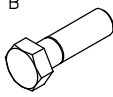


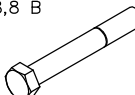


### NOTE

After install the towbar you should get adequate note in registration book (at authorised service station).The car should be equipped with:

- Indicators
- Tow mirrors

After 1000km check all bolts and nuts. The ball of towbar must be always kept clear and conserve with a grease.

Towbar accessories:

Pos. 1 Name: Main bar Quantity: 1 	Pos. 6 Name: Bolt 8,8 B Quantity: 1 Dim.: M10x30mm 	Pos. 12 Name: Plain washer Quantity: 8 Dim.: Ø 13 mm 
	Pos. 7 Name: Nut 8 B Quantity: 2 Dim.: M16 	Pos. 13 Name: Plain washer Quantity: 1 Dim.: Ø 10,5 mm 
Pos. 2 Name: Tow ball Quantity: 1 	Pos. 8 Name: Nut 8 B Quantity: 8 Dim.: M12 	Pos. 14 Name: Spring washer Quantity: 2 Dim.: Ø 16,3 mm 
Pos. 3 Name: Socket plate Quantity: 1 	Pos. 9 Name: Nut 8 B Quantity: 1 Dim.: M10 	Pos. 15 Name: Spring washer Quantity: 8 Dim.: Ø 12,2 mm 
Pos. 4 Name: Bolt 8,8 B Quantity: 2 Dim.: M16x50mm 	Pos. 10 Name: Washer Quantity: 8 Dim.: Ø32xØ13x3mm 	Pos. 16 Name: Spring washer Quantity: 1 Dim.: Ø 10,2 mm 
Pos. 5 Name: Bolt 8,8 B Quantity: 8 Dim.: M12x110mm 	Pos. 11 Name: Plain washer Quantity: 2 Dim.: Ø 17 mm 	Pos. 17 Name: Ball cover Quantity: 1 



PPUH AUTO-HAK S.J.

Produkcja Haków Holowniczych  
Henryk & Zbigniew Nejman  
76-200 SŁUPSK ul. Słoneczna 16K  
tel/fax (059) 8-414-414; 8-414-413  
E-mail: [office@autohak.com.pl](mailto:office@autohak.com.pl)  
[www.autohak.com.pl](http://www.autohak.com.pl)

**Towing hitch (without electrical set)**

Class: A50-X Cat. no. D35

Designed for:

**MERCEDES SPRINTER**

and

**VOLKSWAGEN CRAFTER**

Type: 3,25/3,665/4,325m, metal built-up

and loading platform,

without step board, single wheels

produced since 04.2006

Approval number according to Directive 94/20/EC: **e20\*94/20\*0145\*00**

Technical data:

**D-value: 15,24 kN**

maximum trailer weight: **2800 kg**

maximum vertical cup load: **100 kg**

**Foreword**

This towbar is designed according to rules of safety traffic regulations. The towing hitch is a safety component and can be install only by qualified personnel. Any alteration or conversion of the towing hitch is prohibited and would lead to cancellation of design certification. Remove insulating compound and underseal from vehicle (if present) in the area of the matting surfaces of the towing hitch. The vehicle manufacturer's specifications regarding trailer load and max. vertical cup load are decisive for driving whereat values for the towing hitch cannot be exceeded.

D-value formula:

$$\frac{\text{Max trailer weight [kg]} \times \text{Max vehicle weight [kg]}}{\text{Max trailer weight [kg]} + \text{Max vehicle weight [kg]}} \times \frac{9,81}{1000} = D \text{ [kN]}$$